

## Fuji Electric UPS7400WX-T3U (225-1000kVA) 480 V Uninterruptible Power System (UPS)

Fuji Electric's new UPS7400WX-T3U is an innovative transformer-less UPS designed for data centers and commercial applications, utilizing our patented RB-IGBT Technology and AT-NPC 3-Level Circuit Topology to deliver up to 97.5% efficiency and unparalleled reliability.

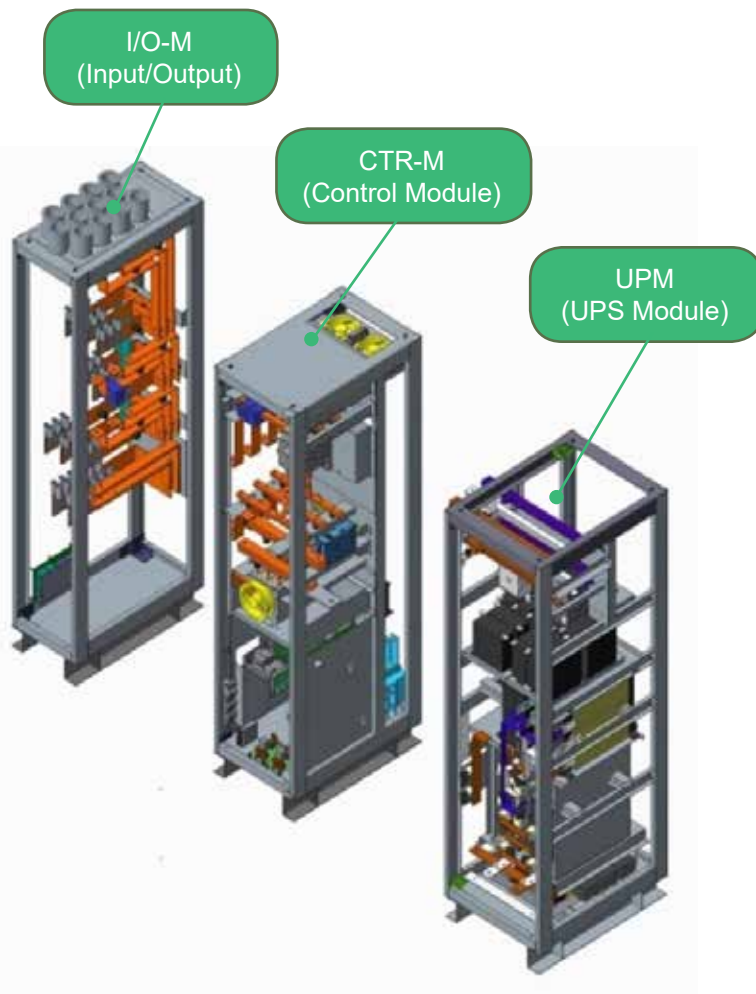
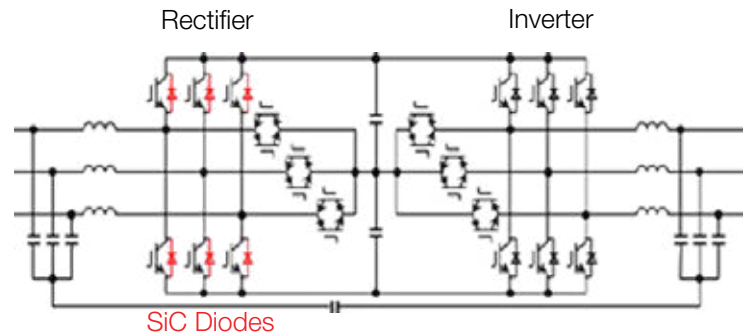


- State-of-the-art design utilizing Fuji Electric's RB-IGBT Technology and AT-NPC 3-Level Circuit Topology delivers up to 97.5% efficiency for lower operational cost
- Hybrid silicon carbide (SiC) IGBTs for optimum efficiency and power handling capability
- N+1 UPS module redundancy when redundancy UPMs are installed
- Parallel UPS systems up to 8 units
- Large color touch screen LCD with at a glance status
- Selectable High Efficiency (HE) Mode available, for the highest possible efficiency (up to 99%) when conditioned power is not required
- Redundant fans standard
- Fully maintainable and repairable with only front access required
- 2 communication card slots are standard and 4 slots are optional.
- Three-Year Warranty for lower cost of ownership

# Unparalleled Innovation.

## Engineering Prowess Meets Forward Thinking.

- Fuji Electric's exclusive AT-NPC Topology using RB-IGBT Technology in both Rectifier and Inverter
- Silicon Carbide (SiC) Diodes in Rectifier IGBTs handle the added stress that those components endure for superior reliability



## Designed to Perform.

- Modular UPS, N+1 redundancy
- Module Control Management System provides the ultimate in flexibility:
  - Intra-cabinet redundancy by installing redundant UPMs (up to N +3 @ 330 kVA)
  - Module shutdown at low loads to optimize efficiency
- Double Conversion efficiency greater than 96% at loads as low as 25%
- Handles up to .7 leading power factor loads without derating
- Outstanding voltage and frequency regulation (Voltage +/-1%; Frequency +/-0.01%)
- 100% unbalanced load capability
- Voltage regulation for 100% load steps <3%, without utilizing batteries
- Overload capacity 150% for 1 minute, 125% for 10 minutes

# UPS7400WX-T3U Specifications

UPS Rating [kVA/kW]	225	300	330	500	600	660	750	900	1000	1000
UPM Number	1 UPM			2 UPMs			3 UPMs			4UPMs
Topology	Double Conversion with SiC-Hybrid IGBT and RB-IGBT Technology									
Feature	Modular UPS system, High Efficiency Mode, Module Control Management System									
Redundancy	N+X UPM Redundancy (when "X" number of redundant modules are installed)									
Parallel System	Up to 8									
<b>AC INPUT</b>										
Voltage / Phases	480 VAC / 3-phase, 3-wire (Y) + Ground									
Voltage Range	-30% to +10%									
Frequency / Range	60 Hz / ±10%									
Power Factor	> .99									
Current THD	< 3% (100% linear load. When UPS kVA is downgraded, less than 5%)									
Current (Nominal)	280 A	373 A	410 A	621 A	745 A	819 A	931 A	1117 A	1241 A	1241 A
Current (Maximum)	307 A	399 A	439 A	683 A	820 A	878 A	1024 A	1228 A	1327 A	1327 A
<b>BYPASS</b>										
Voltage / Phases	480 VAC / 3-phase, 3-wire (Y) + Ground									
Frequency / Range	60 Hz / ±1%-5%, selectable									
HE Mode Transient	< 2 ms									
100 kAIC Bypass Fuse	Option					Standard				
<b>BATTERY</b>										
Voltage (Rated / Nominal),VRLA	480 VDC / 545 VDC (240 cells, 2.27 V per cell)									
Charging Current (Min / Max)	14 A / 88 A			44 A / 166 A			60 A / 260 A			60A / 260 A
Battery Type	VRLA, Li-ion battery, Flywheel									
<b>AC OUTPUT</b>										
Voltage / Phases	480 VAC, 3-phase, 3-wire (Y) + Ground									
Voltage Regulation	< ±1%									
Frequency / Regulation	60 Hz / < ±.01% (in free-running mode)									
Power Factor (Rated)	1.0									
Power Factor Range	.7 leading to .7 lagging without derating									
Voltage THD	< 2% (linear load); < 5% (non-linear load)									
Transient Voltage Regulation	< 3% (at 100% load step)									
Overload Capacity	125% for 10 minutes; 150% for 1 minute									
Current (Nominal)	271 A	361 A	397 A	602 A	722 A	794 A	903 A	1083 A	1203 A	1203 A
<b>COMMUNICATION</b>										
Card Slots	2 slots standard (4 slots optional)									
Protocols	SNMP, Modbus RTU, Modbus TCP/IP									
<b>ENVIRONMENTAL</b>										
Audible Noise	≤ 75 dBA (1m in front of cabinet)									
Operating Temperature	32 to 104 °F (0 to 40°C)									
Storage Temperature	-13 to 131 °F (-25 to 55°C)									
Relative Humidity	5 to 95% (Non-condensing)									
Altitude	≤ 6560 ft (2000 m)									
<b>EFFICIENCY*</b>										
Max Capacity	330 kW			660 kW			1000 kW			1000 kW
Number of UPM	1 UPM			2 UPM			3 UPM			4 UPM
Load factor of UPS	0%	25%	50%	75%	100%	75%	100%	75%	100%	75%
Load	0 kW	82.5 kW	165 kW	247.5 kW	330 kW	495 kW	660 kW	750 kW	1000 kW	1000 kW
Efficiency of Normal Mode	0%	96.2%	97.1%	97.2%	97.1%	97.2%	97.0%	97.2%	96.9%	97.1%
Efficiency of HE Mode	98.6%*									
<b>DIMENSIONS</b>										
Width	84.6 in (2150 mm)			108.3 in (2750 mm)			131.9 in (3350 mm)			155.5 in (3950mm)
Depth	32.7 in (830 mm)									
Height	79.5 in (2020 mm)									
Weight	3285 lbs (1490 kg)			4630 lbs (2100 kg)			5975 lbs (2710 kg)			7319 lbs (3320 kg)
Ingress Rating	NEMA 1 (IP20)									
<b>STANDARDS</b>										
Safety	UL 1778 5th Edition; CSA 22.2 No.107.3-14 3rd Edition									
EMC	IEC 62040-2, Category C3									

\* Efficiency of HE Mode is reference data.

# Engineered Like No Other

Our breakthrough innovations with power electronics technologies have led to the development of our large capacity UPS system, which provides unparalleled efficiency and superior reliability. With over 40 years of UPS development and manufacturing experience, Fuji Electric's UPS7400WX is the UPS equipped with our own patented components for optimal performance when it counts the most.



## Trusted Globally

For nearly 100 years, Fuji Electric has been manufacturing products for mission critical applications including data centers, power plants and hospitals. Customers around the world rely on Fuji Electric, for products ranging from the smallest IGBT to large power generation systems. We have maintained an unwavering commitment to engineering and R&D, refusing to compromise on quality and reliability. This goes hand in hand with our company's dedication to the environment, influencing our innovative products that seek to conserve, manage and produce energy.

### **Fuji Electric Corp. of America**

50 Northfield Avenue

Edison, NJ 08837

T 732-560-9410

F 732-457-0042

[www.americas.fujielectric.com](http://www.americas.fujielectric.com)

Information in this document is subject to change without notice. Fuji Electric Corp. of America (FEA) reserves the right, without prior notice, to update information, make product changes, or to discontinue any product or service identified in this publication. FEA shall not be liable for technical or editorial omissions or mistakes in this document, nor shall be liable for incidental damages resulting from the use of information contained in this document. This document is copyrighted. No part of this document may be photocopied and reproduced in any form without the prior written consent of FEA.